

EPOXY MOLD VOLTAGE DETECTOR



Introduction

TOYO capacitor post voltage detecting insulators are manufactured with high quality epoxy resin and are equipped with sheds increasing creepage distance and allowing installation of insulators also in polluted environments.

Insulator type voltage detector is the insulating support and connected to the lamps to indicate that the voltage is applied to the high voltage circuit.

As this lamp gets its power source from the low voltage devided by the capacitor, it never fails to light when the voltage is applied to the circuit.

The terminal of voltage detector is provided on the earth side of epoxy resin insulator. Therefore, the voltage detect can be carried out without causing any damage or trouble to the function of supporting insulator.

Specification

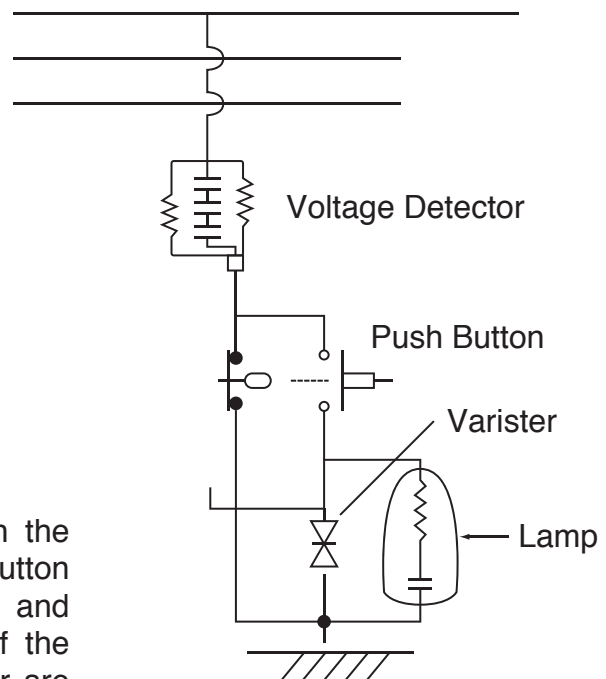
Type	Rated Voltage (kV)	Insulation Level (kV)		Dimension (mm)			Characteristics			
		Power Frequency	Impulse	Height	Shed Diameter	Creepage Distance	Strength (kg)	Capacitance (pF)	Working Current (A)	Weight (kg)
TOVD-7.2N	3.6/7.2	22	65	100	50	130	150	250	0.60	0.4
TOVD-12N	12	28	75	130	100	220	300	150	0.35	1.0
TOVD-24N	24	50	125	210	100	380	300	75	0.35	1.7
TOVD-36N	36	70	170	300	100	540	300	50	0.35	2.6

Voltage Indicator



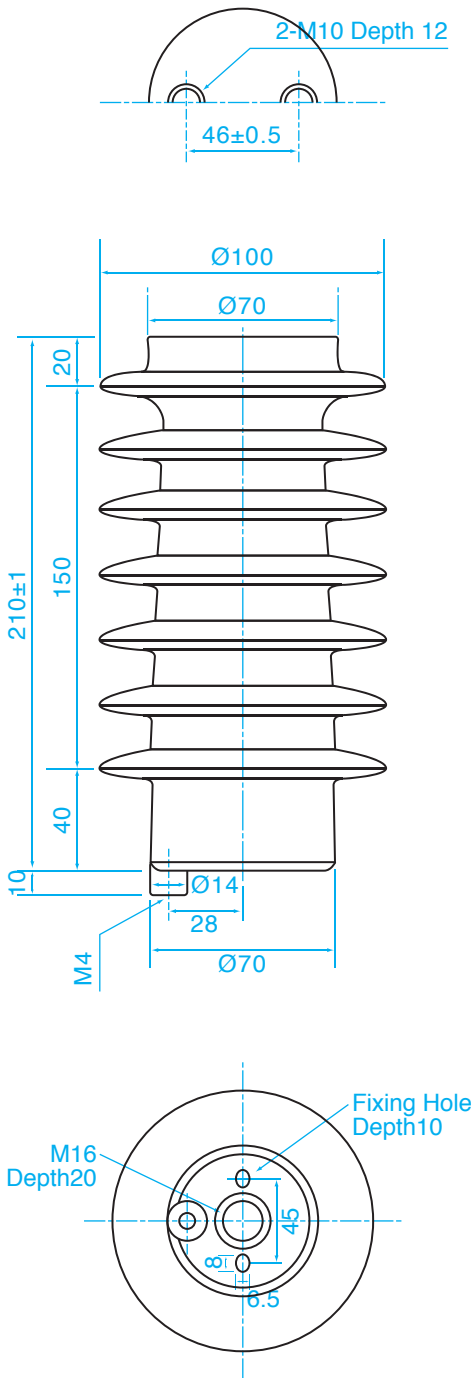
Type: TOVD-IN

Usually, this voltage indicator is earthed through the push button switch. In inspection, push the push button switch once (with a “click”) to light up the lamps, and then again push once (with a “click”) to turn off the lamps. For safety purpose, the lamps and varister are connected in parallel.

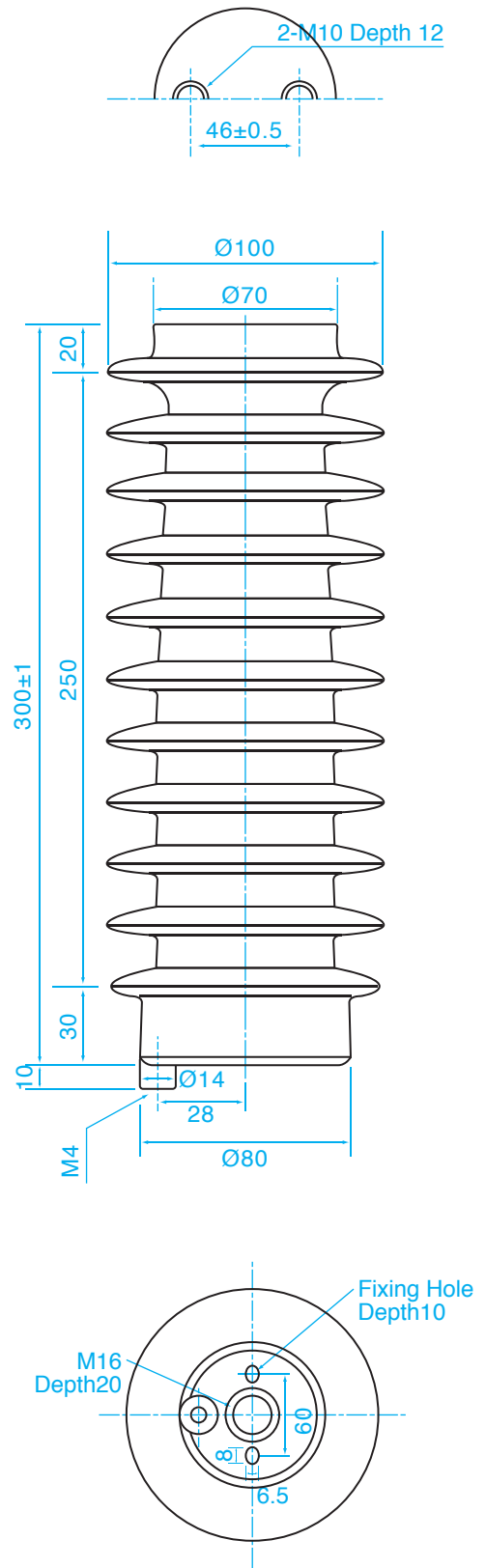


■ Dimensions (mm)

TOVD-24N

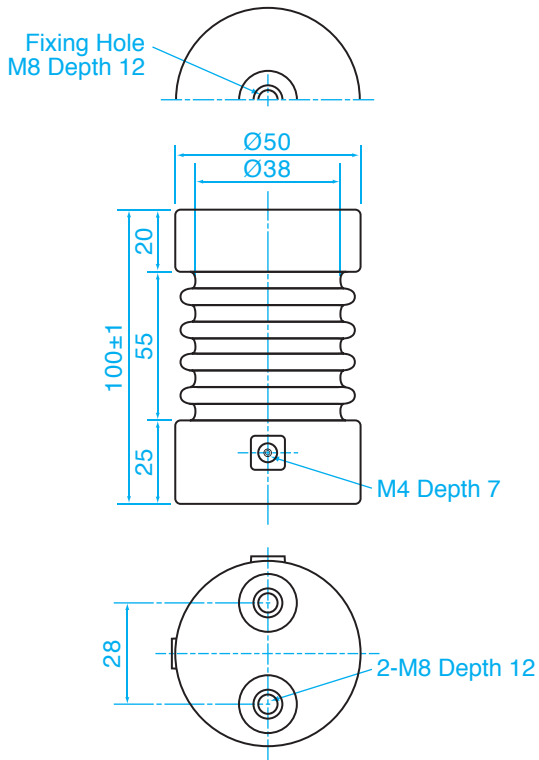


TOVD-36N

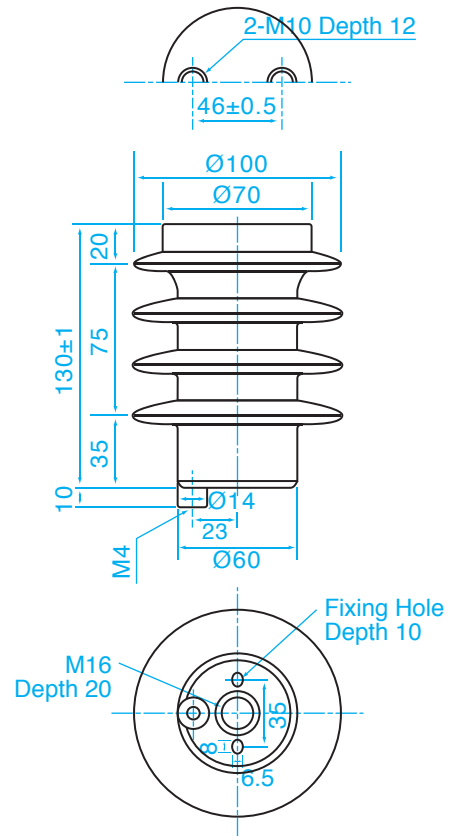


■ Dimensions

TOVD-7.2N



TOVD-12N



TOVD-IN

