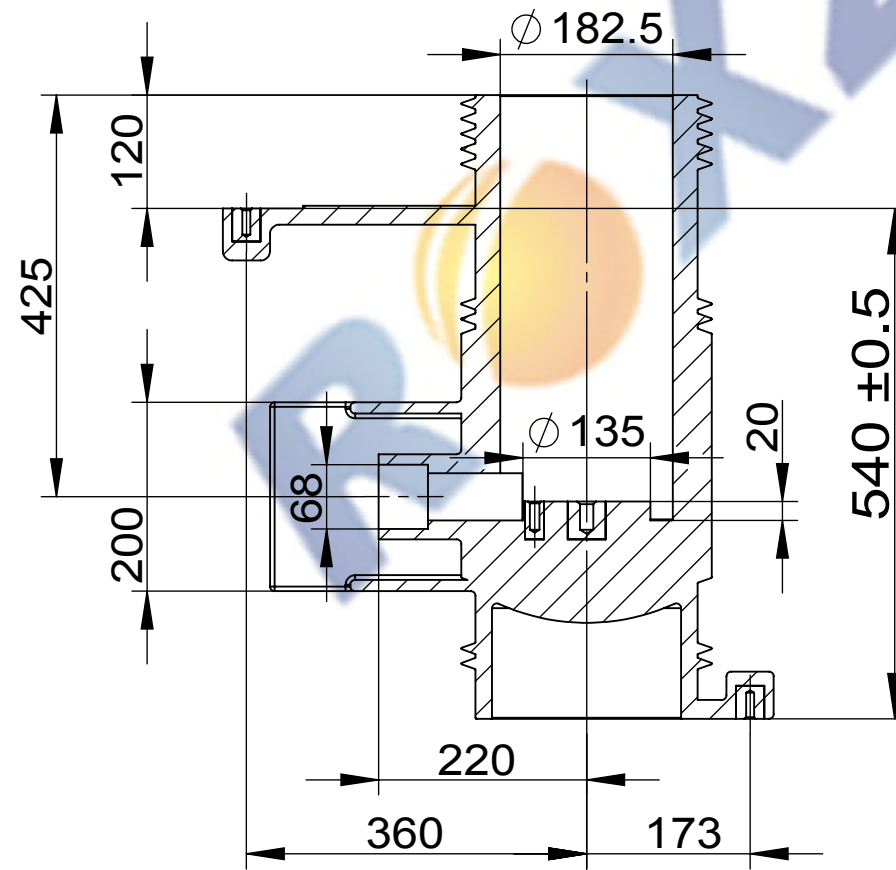
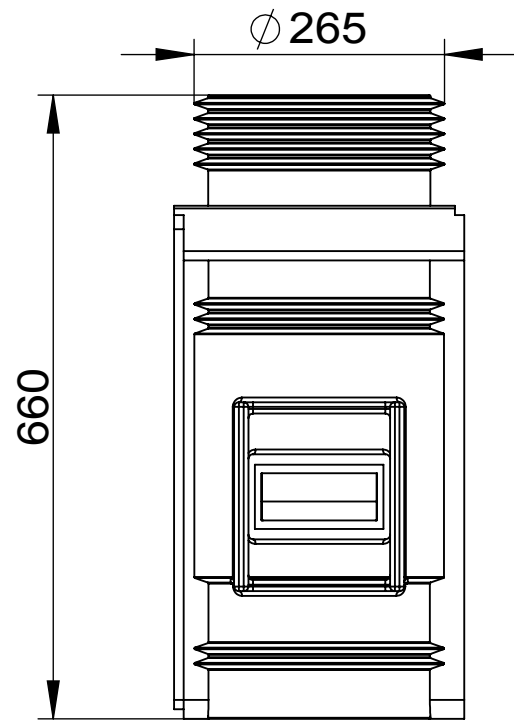
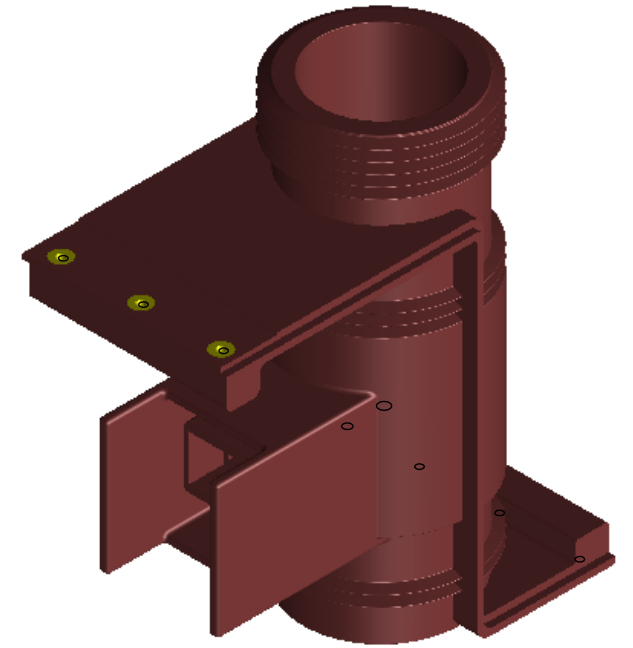
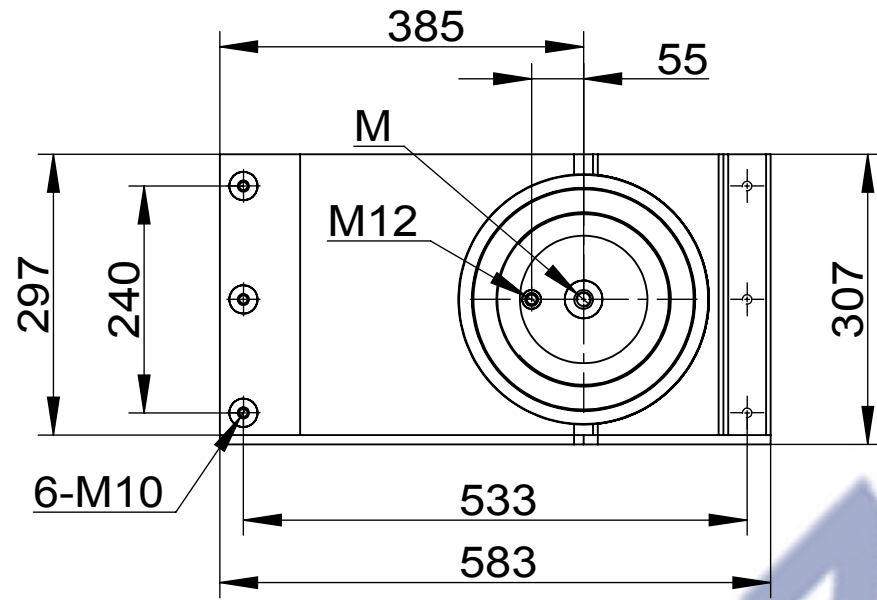


M	M10	M12	M16
---	-----	-----	-----



1.	CAST EPOXY CY225/HY925			Natural	
Fig.	Material			Finishing	
ALL RIGHTS ARE RESERVED FOR THIS DOCUMENT EVEN IN CASE OF ISSUANCE OF A PATENT AND REGISTRATION OF OTHER INDUSTRIAL RIGHTS.					Scale: 1:8
DESIGN	SEH	10/10/2011	CHECKED	Title :	
DRAWN	DGR	10/10/2011	APPROVED	Spout Bushing Insulator for KYN61 Switchgear	
		SHAAN XI SUCCEED TRADING CO., LTD O/B Shanghai ROX Electric Co., Ltd			DWG.No : 5RA35.012.056
Website : www.epoxyinsulator.com.cn E-mail:cn.isolator@gmail.com Address:No.4899, Shuangzhu Road, Jiading, Shanghai, 201807, China					